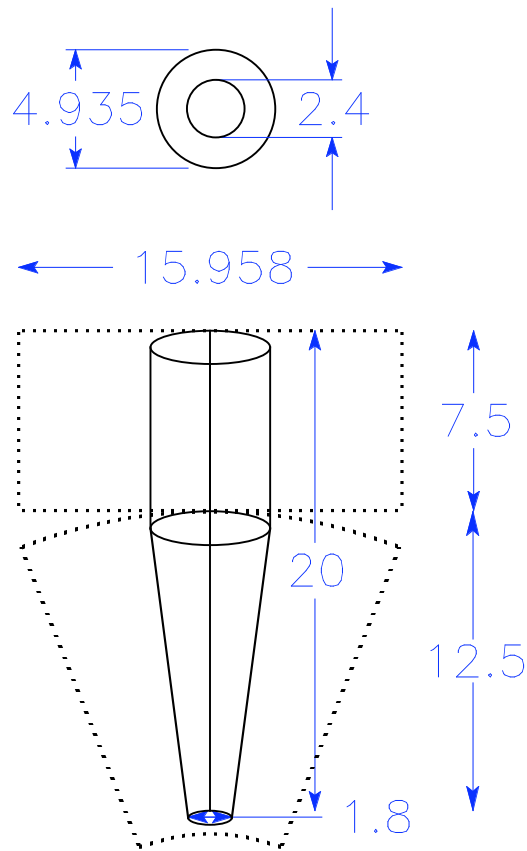


GEK Cyclone v1.0

5" Dia Cylinder. Taper to 1.8"
(with 1/4" sheet overlap)

Top Plates is cut from 1/8" sheet steel.

Tube and Taper is cut from 1/16" sheet steel.



Before building, check for more recent versions at:
www.allpowerlabs.org/gasification/gek
ALL Power Labs 1010 Murray Street Berkeley, CA 94710.
8/08. jimmmason@whatiamupto.com